

**IPPC1003-PC**  
**IPPC0803-RE /IPPC1203-RE/**  
**IPPC1503-RE / IPPC1703-RE**

Intel® Atom™ E3815 Processor Panel PC  
 Intel® Celeron® J1900 Processor Expandable Panel PC

**IPPC Series**



**I/O View**



IPPC1003-PC



IPPC1203-RE



IPPC1503-RE

**Features**

- Cost effective
- Low power consumption
- IP65-rated front bezel



- PCI-E (x1) and PCI expansion  
(excluded IPPC1003-PC / IPPC0803-RE)



- Front side access USB 2.0 port  
(IPPC1503-RE only)



- Projected capacitive touch screen  
(IPPC1003-PC only)



# IPPC0803-RE / IPPC1003-PC

## Specifications

Model No.		IPPC0803-RE (coming soon)	IPPC1003-PC
Display & Touch Screen	Display Size	8.4" TFT-LCD	10.4" TFT-LCD
	Max. Resolution	800 x 600	1024 x 768
	Luminance (cd/m <sup>2</sup> )	350	350
	Contrast	600 : 1	700:1
	Max. Color	262K	16.7M
	View Angle (H°/V°)	150/130	150/150
	Backlight Lifetime(hrs)	50,000	30,000
	Touch Type	Resistive	Projected capacitive
	Touch Interface	USB	USB
	Light Transmission (%)	80	85
	Point of touch	1	Up to 2
I/O Interface	USB 3.0	1	1
	USB 2.0	1	1
	RS-232/422/485 Selectable under BIOS	1	1
	RS-232	1	1
	LAN	1x GbE	1x GbE
	Additional Graphics	DP and VGA	DP and VGA
	Audio	None	None
	Digital I/O	None	None
	Power Connector	Power jack	Power jack
	Power Button	Rock switch	Rock switch
Mechanical	Dimensions (mm)	TBD	286 x 236 x 51.5
	Net Weight (kgs)	TBD	2.2
System	Processor	Intel® Celeron™ Processor J1900 2.0GHz	Intel® Atom™ Processor E3815 1.46GHz
	Memory	1x DDR3L SO-DIMM, up to 4GB, default 2GB	1x DDR3L SO-DIMM, up to 4GB, default 2GB
	Thermal Design	Fanless	Fanless
	Membrane Control	None	None
	Built-in Speaker/MIC	None	None
Expansion	Internal Expansion Bus	1x Mini PCI-E(x1) [full/half-size] 2x Mini PCI-E(x1) [half-size]"	1x Mini PCI-E(x1) [full/half-size] 2x Mini PCI-E(x1) [half-size]
	Expansion Slot	None	None
	Wireless	Optional	Optional
Storage Space	HDD	1x 2.5" SATA	1x 2.5" SATA
	Removable	None	None
Power	Power Input Range	12V DC	12V DC
Construction	Chassis Material	SGCC with aluminum heat-sink, Black	SGCC with aluminum heat-sink, Black
	Color (Front/Back)	Black/Black	Black/Black
	IP Rating	IP65 rated front bezel	IP65 rated front bezel
	Mounting	Panel mount and VEAS 75x75mm	Panel mount and VEAS 75x75mm
Environmental	Operating Temperature	0°C ~ 50°C	-20°C ~ 50°C
	Storage Temperature	-20°C ~ 60°C	-30°C ~ 80°C
	Storage Humidity	10%~90% (non-condensing)	10%~90% (non-condensing)
	Certification	CE/FCC class B and LVD	CE/FCC class B and LVD
	Supported Operating Systems	Windows 8 32/64 bit, Windows 7 Pro for Embedded 64 bit, WES7 64 bit	Windows 8 32/64 bit, Windows 7 Pro for Embedded 64 bit, WES7 64 bit

01

Vertical Applications  
Panel PC

02

Stainless Steel  
Panel PC

03

All-In-One Panel  
PC with Riser Card  
Expansion

04

Compact Panel PC

05

Heavy-duty  
Industrial Panel PC

06

ARM-Based  
Panel PC

07

ARM-Based HMI

# IPPC1203-RE / IPPC1503-RE / IPPC1703-RE

## Specifications

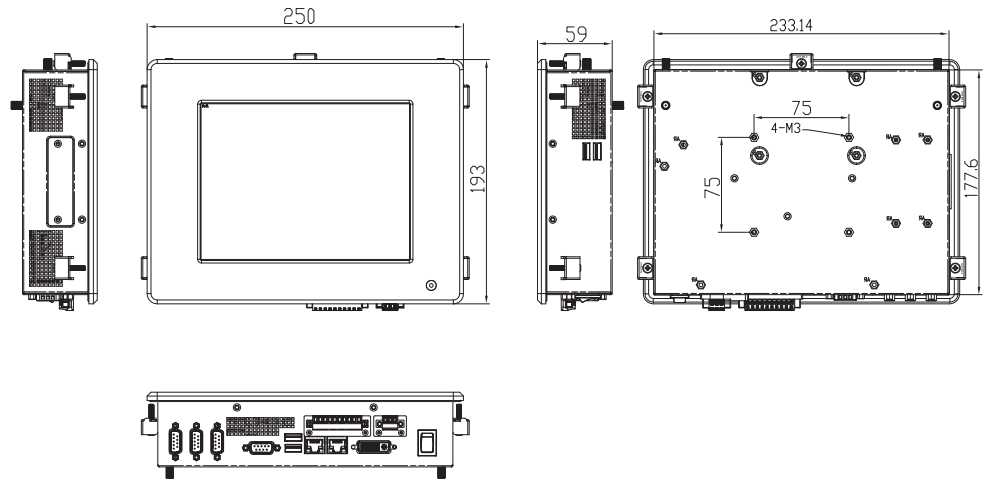
Model No.		IPPC1203-RE	IPPC1503-RE	IPPC1703-RE (coming soon)
Display & Touch Screen	Display Size	12.1" TFT-LCD	15" TFT-LCD	17" TFT-LCD
	Max. Resolution	1024 x 768	1024 x 768	1280 x 1024
	Luminance (cd/m <sup>2</sup> )	350	420	250
	Contrast	800:1	800:1	1000 : 1
	Max. Color	16.7M	16.2M	16.7M
	View Angle (H°/V°)	170/170	160/160	178/170
	Backlight Lifetime(hrs)	30,000	30,000	50,000
	Touch Type	Resistive	Resistive	Resistive
	Touch Interface	USB	USB	USB
	Light Transmission (%)	79	79	80
	Point of touch	1	1	1
I/O Interface	USB 3.0	1	1	1
	USB 2.0	2 at rear side	2 at rear and 1 at front side with cover	2 at rear and 1 at front side with cover
	RS-232/422/485 Selectable under BIOS	1	1	1
	RS-232	1	1	1
	LAN	2x GbE	2x GbE	1x GbE
	Additional Graphics	1x VGA and DVI-D	1x VGA and DVI-D	DP and VGA
	Audio	MIC in/ Line in/Line out phone jack	MIC in/ Line in/Line out phone jack	None
	Digital I/O	None	None	None
	Power Connector	Terminal block (Jack type as option)	Terminal block (Jack type as option)	Power jack
	Power Button	Rock switch	Rock switch	Rock switch
Mechanical	Dimensions (mm)	320 x 270 x 101	410 x 335 x 105	377 x 442 x 103
	Net Weight (kgs)	7.5	8.7	TBD
System	Processor	Intel® Celeron® Processor J1900 2.42GHz	Intel® Celeron® Processor J1900 2.42GHz	Intel® Celeron™ Processor J1900 2.0GHz
	Memory	2 x DDR3L SO-DIMM, up to 8GB, default 4GB	2x DDR3L SO-DIMM, up to 8GB, default 4GB	1x DDR3L SO-DIMM, up to 8GB, default 4GB
	Thermal Design	Fanless	Fanless	Fanless
	Membrane Control	None	None	None
	Built-in Speaker/MIC	None	None	None
Expansion	Internal Expansion Bus	1x Mini PCI-E half size 1x Mini PCI-E full/half size, mSATA support	1x Mini PCI-E half size 1x Mini PCI-E full/half size, mSATA support	1x Mini PCI-E(x1) [full/half-size] 1x Mini PCI-E(x1) [half-size]*
	Expansion Slot	1x PCI-E (x1) and 1x PCI	1x PCI-E (x1) and 1x PCI	1x PCI-E(x1) and 1x PCI
	Wireless	Optional	Optional	Optional
Storage Space	HDD	1x 2.5" SATA HDD, default 2.5" 64G MLC SSD	1x 2.5" SATA HDD, default 2.5" 64G MLC SSD	1x 2.5" SATA HDD, default 2.5" 64GB SSD
	Removable	None	None	None
Power	Power Input Range	12V/24V DC input	12V/24V DC input	12V/24V DC
Construction	Chassis Material	SGCC	SGCC	SGCC
	Color (Front/Back)	Black / Black	Black / Black	Black/Black
	IP Rating	Front IP65/Back IP30	Front IP65/Back IP30	Front IP65/ Back IP30
	Mounting	VESA 75x75 / 100x100, panel mounting	VESA 75x75 / 100x100, panel mounting	Panel mount and VESA 75x75mm/100x100mm
Environmental	Operating Temperature	0°C ~ 50°C (with SSD) 0°C ~ 40°C (with HDD)	0°C ~ 50°C (with SSD) 0°C ~ 40°C (with HDD)	0°C ~ 50°C
	Storage Temperature	-20°C~60°C	-20°C~60°C	-20°C ~ 60°C
	Storage Humidity	10%~90% (non-condensing) at 40°C	10%~90% (non-condensing) at 40°C	10%~90% (non-condensing)
	Certification	CE/FCC class B and LVD/CB/CCC	CE/FCC class B and LVD/CB/CCC	CE/FCC class B and LVD
	Supported Operating Systems	Windows 7 Professional/WES 7 and 8/ Windows 8.1/ Windows 10 Linux Kernel 3.X	Windows 7 Professional/WES 7 and 8/ Windows 8.1/ Windows 10 Linux Kernel 3.X	Windows 8 32/64 bit, Windows 7 Pro for Embedded 64 bit, WES7 64 bit

Remarks: 1. Specifications are subject to change without prior notice. 2. ODM/OEM is available. 3. For user's manual & datasheet download, visit [www.ibase.com.tw](http://www.ibase.com.tw).

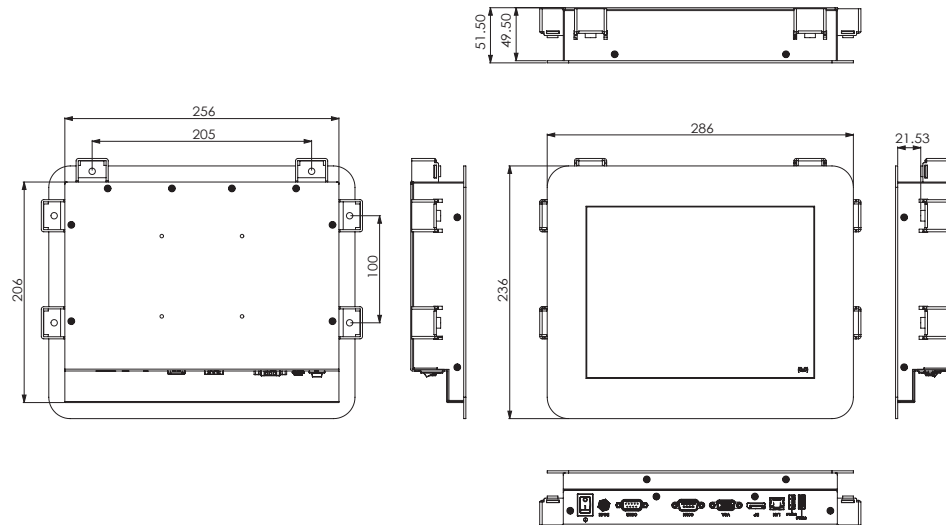
# IPPC0803-RE / IPPC1003-PC

## Dimensions

IPPC0803-RE



IPPC1003-PC



## Ordering Information

IPPC0803-RE	8.4" (800 x 600) Panel PC with IB898, Intel® Celeron® Processor J1900 2.0GHz, 2GB DDR3L SO-DIMM, 64G SSD, projected capacitive touch, 60W power adaptor
IPPC1003-PC	10.4" (1024 x 768) Panel PC with IB898, Intel® Atom™ Processor E3815 1.46GHz, 2GB DDR3L SO-DIMM, 64G SSD, projected capacitive touch, 60W power adaptor

01

Vertical Applications  
Panel PC

02

Stainless Steel  
Panel PC

03

All-in-one Panel  
PC with Riser Card  
Expansion

04

Compact Panel PC

05

Heavy-duty  
Industrial Panel PC

06

ARM-Based  
Panel PC

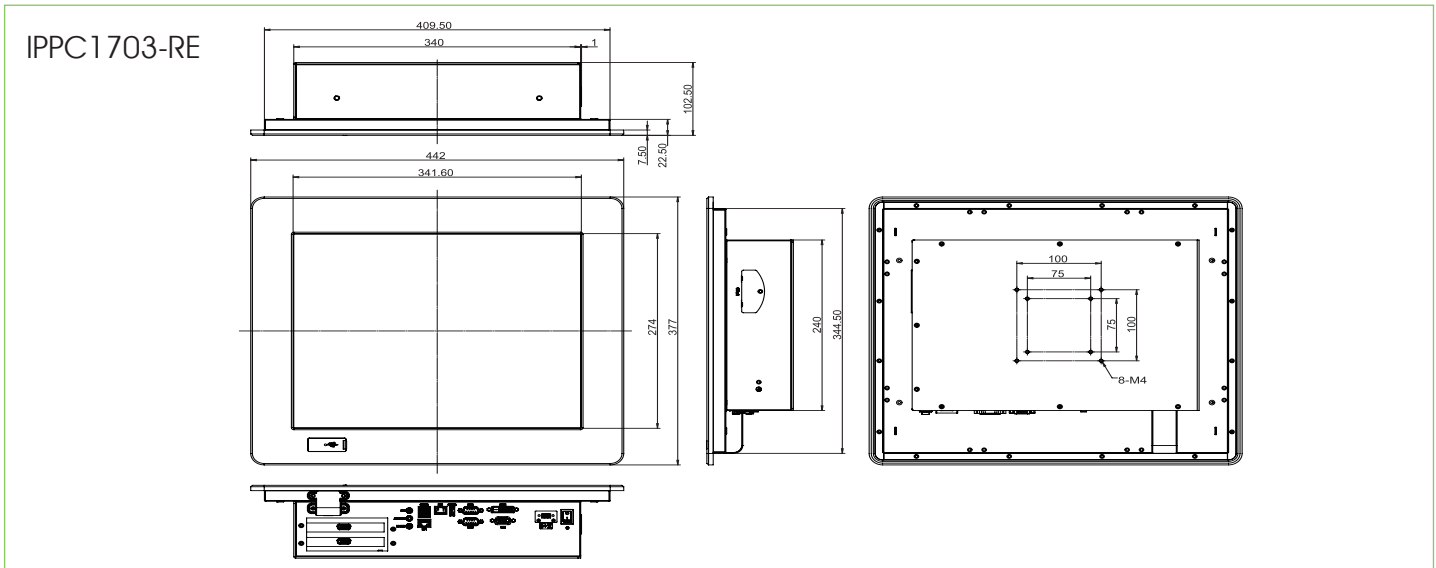
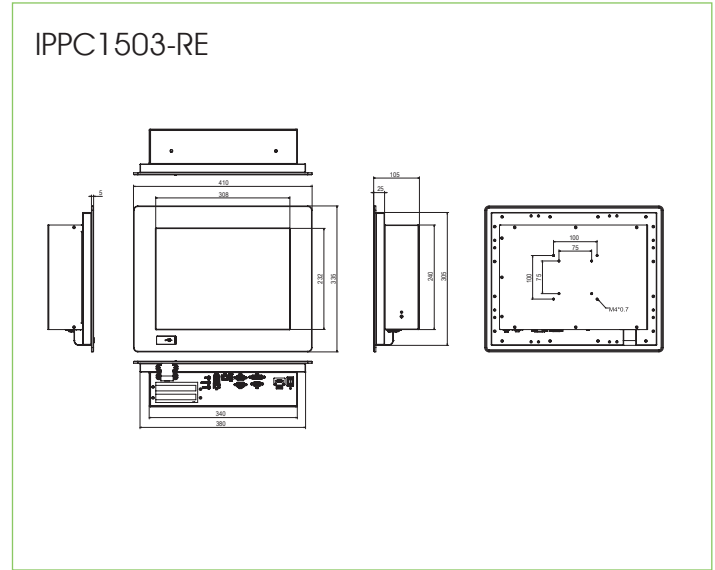
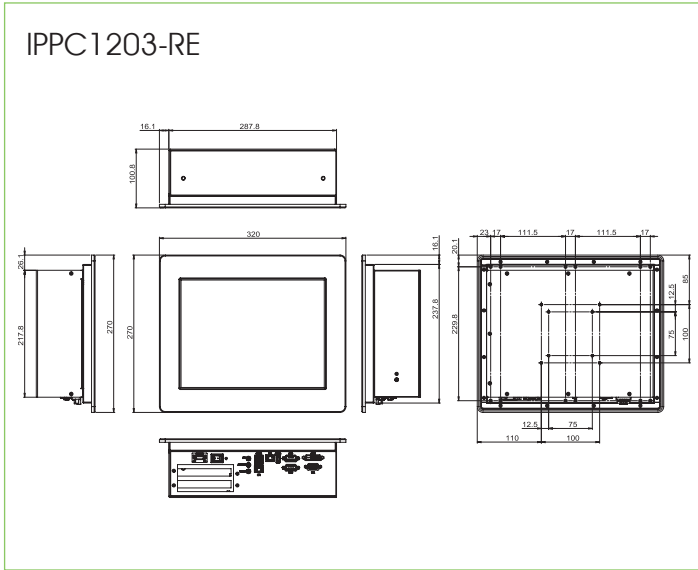
07

ARM-Based HMI

48

# IPPC1203-RE / IPPC1503-RE / IPPC1703-RE

## Dimensions



## Ordering Information

IPPC1203-RE	12.1" (1024 x 768) Panel PC with MI805, Intel® Celeron® Processor J1900 2.42 GHz, 4GB RAM, 64GB MLC SSD, PCI-E (x1) and PCI riser card, resistive touch screen, 12V or 24V DC power input, 24V power adaptor
IPPC1503-RE	15" (1024 x 768) Panel PC with MI805, Intel® Celeron® Processor J1900 2.42 GHz, 4GB RAM, 64GB MLC SSD, PCI-E (x1) and PCI riser card, resistive touch screen, 12V or 24V DC power input, w/o power adaptor
IPPC1703-RE	17" (1280 x 1024) Panel PC with MI805, Intel® Celeron® Processor J1900 2.0 GHz, 4GB DDR3L SO-DIMM, 64G SSD, resistive touch screen, w/o power adaptor